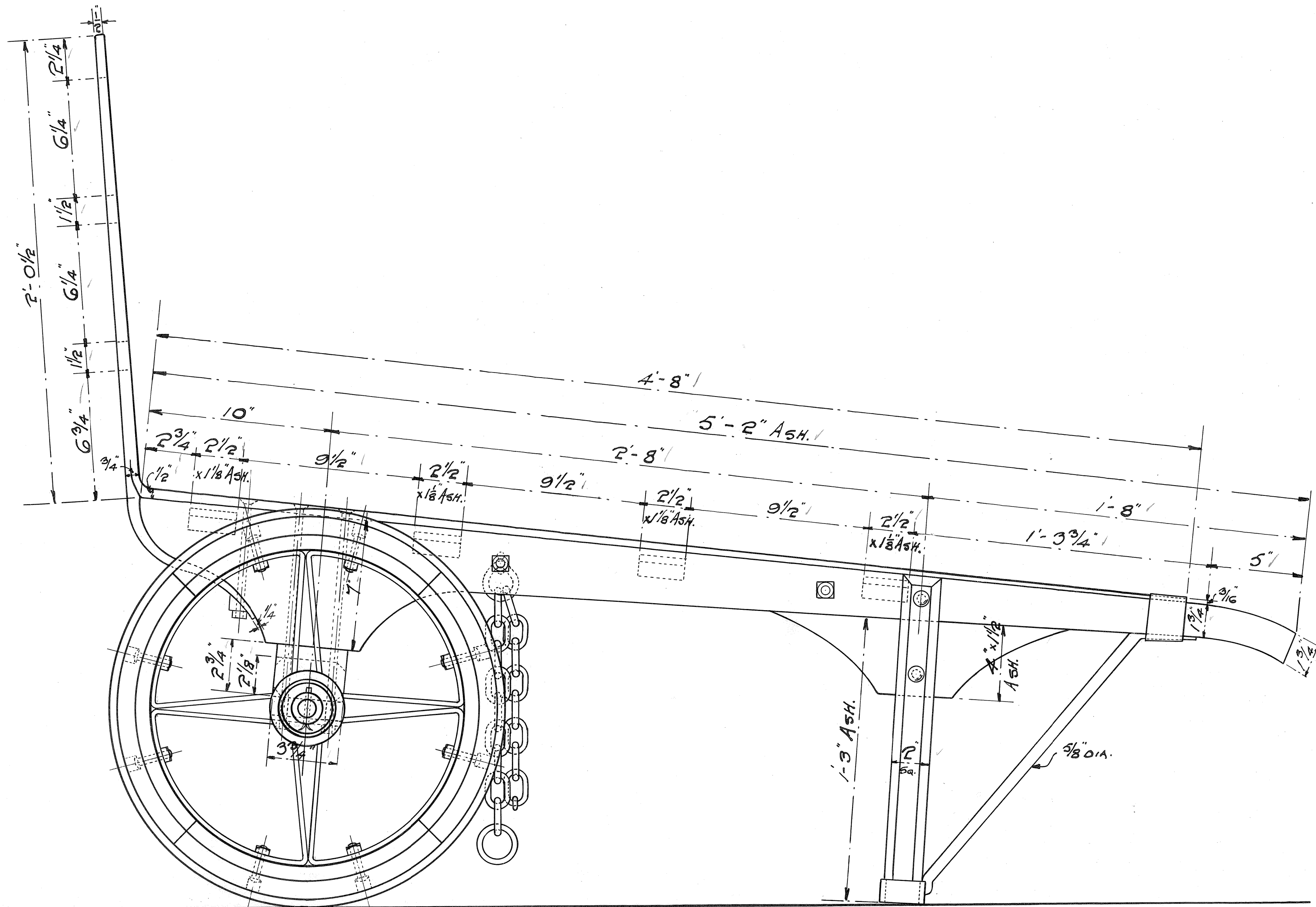


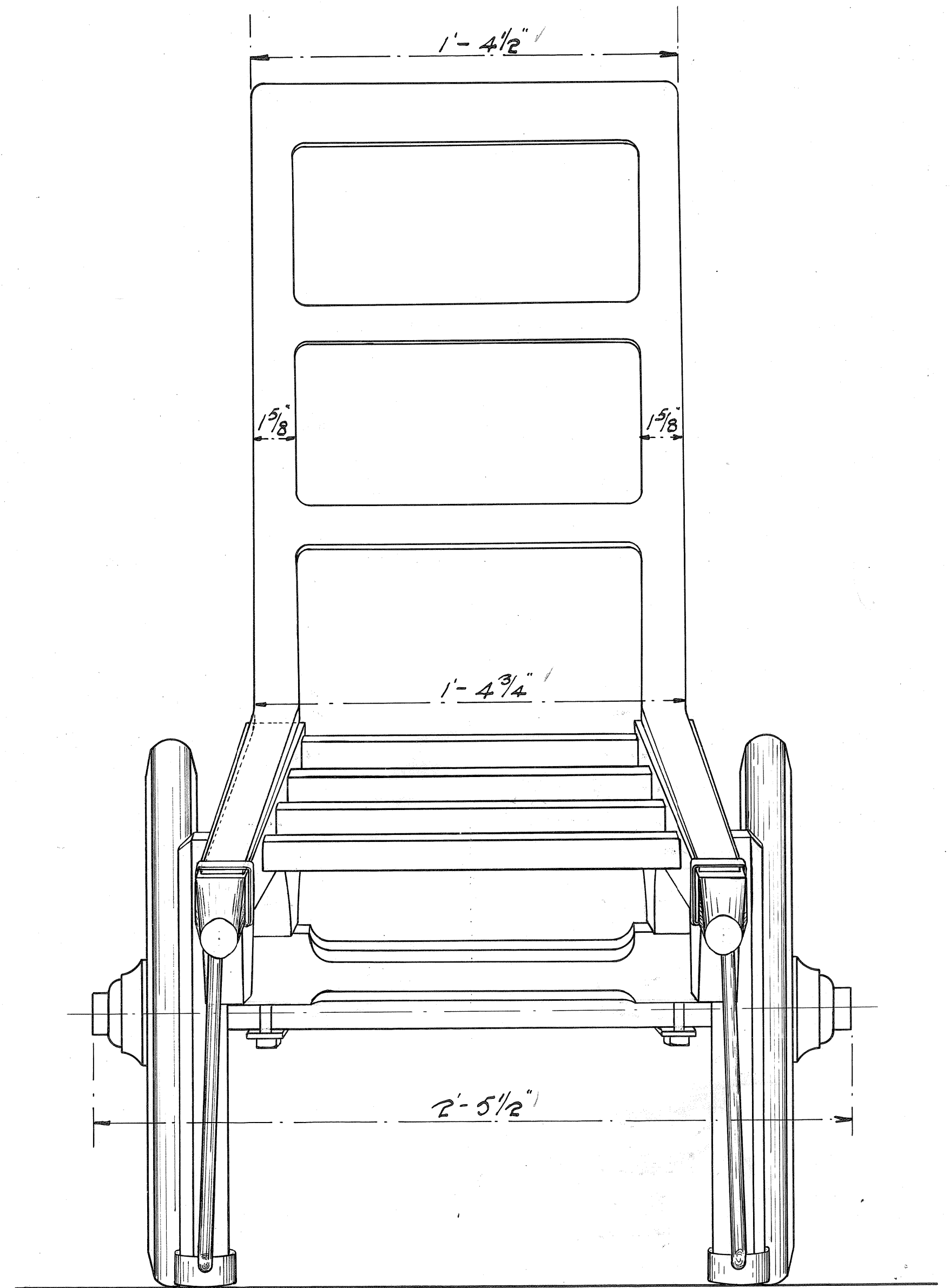
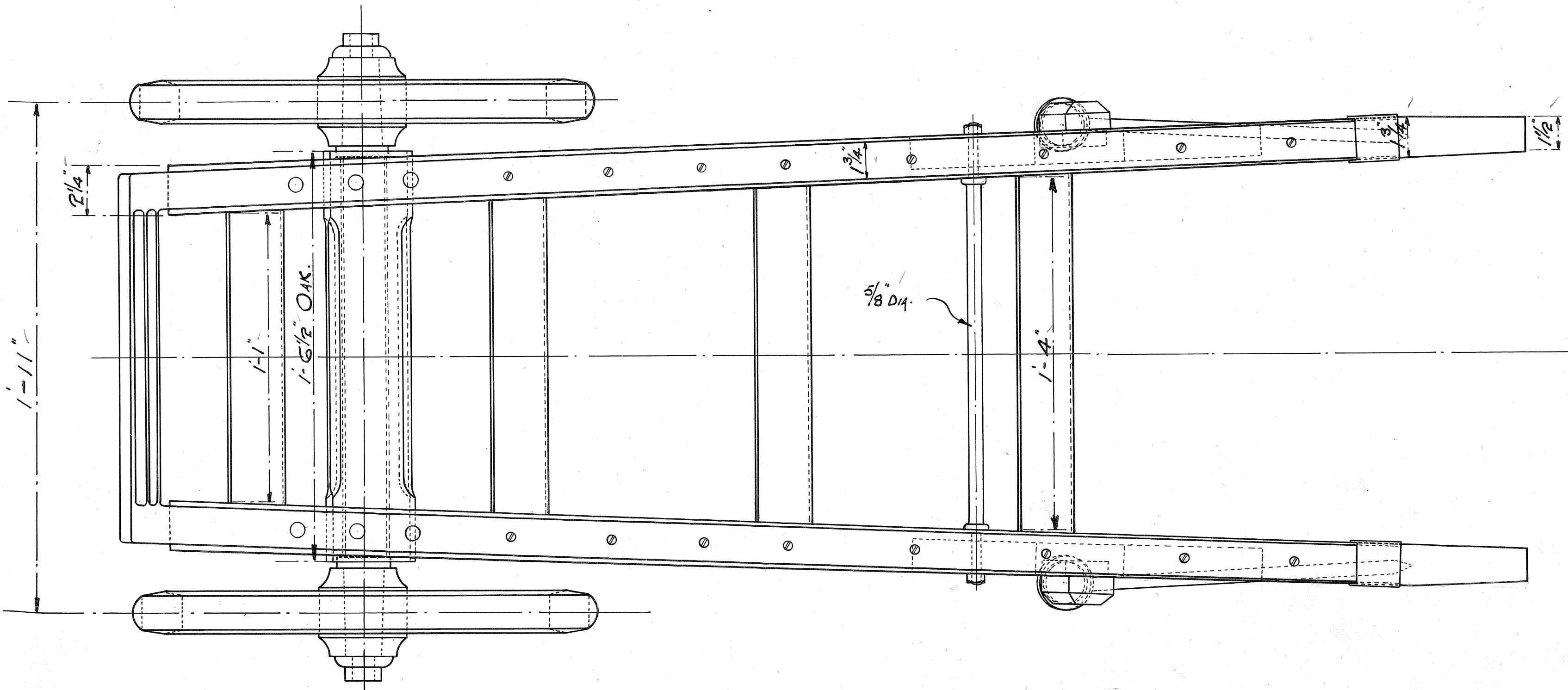
The
VIRTUAL MUSEUM
of the
LANCASHIRE & YORKSHIRE RAILWAY

Platform Truck Drawings.

Drawing of
Standard Platform Truck No. 3 with High Wheels.
Drawing No. 10111.



WHEELS:- 21" DIA
TYPES 1 1/2" x 3/8" CONVEX
SPOKES 1 1/4" x 1/2"
FELLOES 2" x 1 3/4" ASH.



STANDARD PLATFORM TRUCK N^o 3

WITH HIGH WHEELS.

SCALE 3 INCHES TO ONE FOOT.

APPROXIMATE:- C. Q. lbs.
1 - 2 - 17.

DRAWING N^o 10, III 18th July 1922.