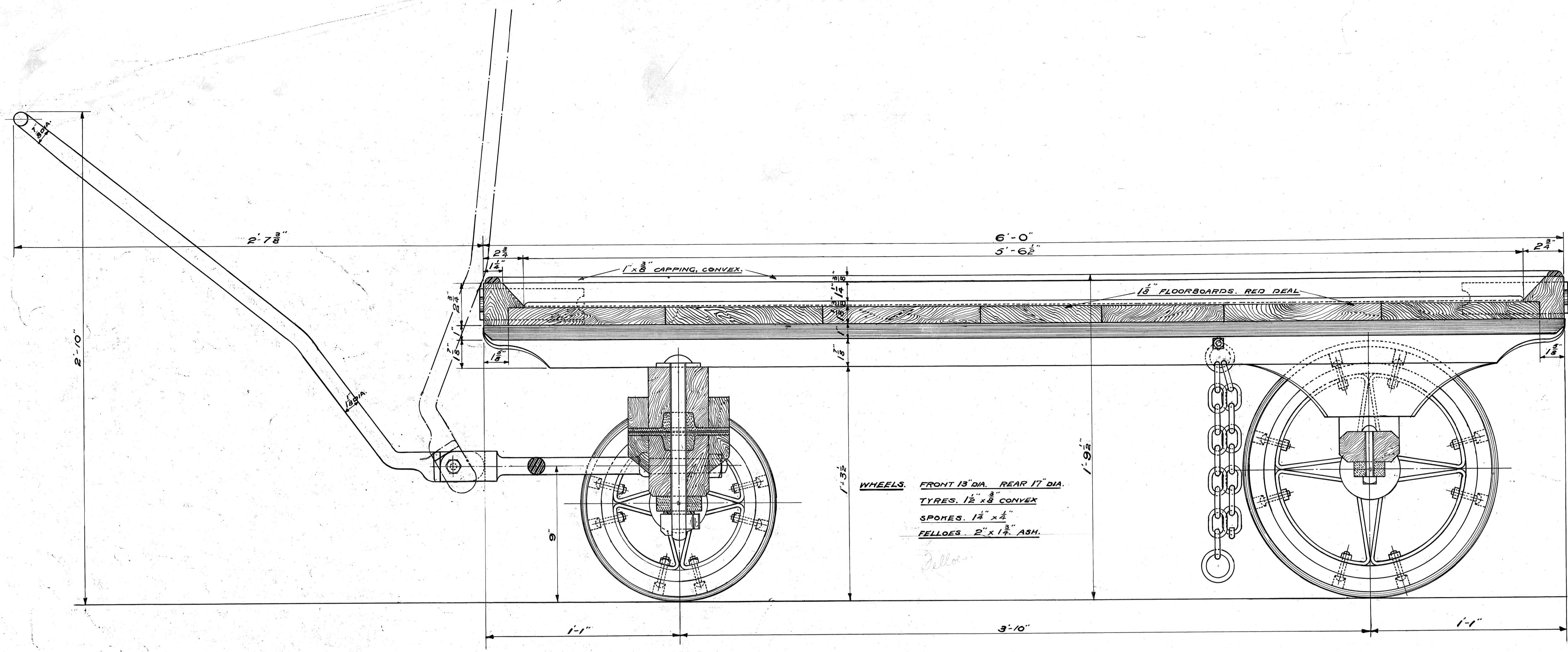


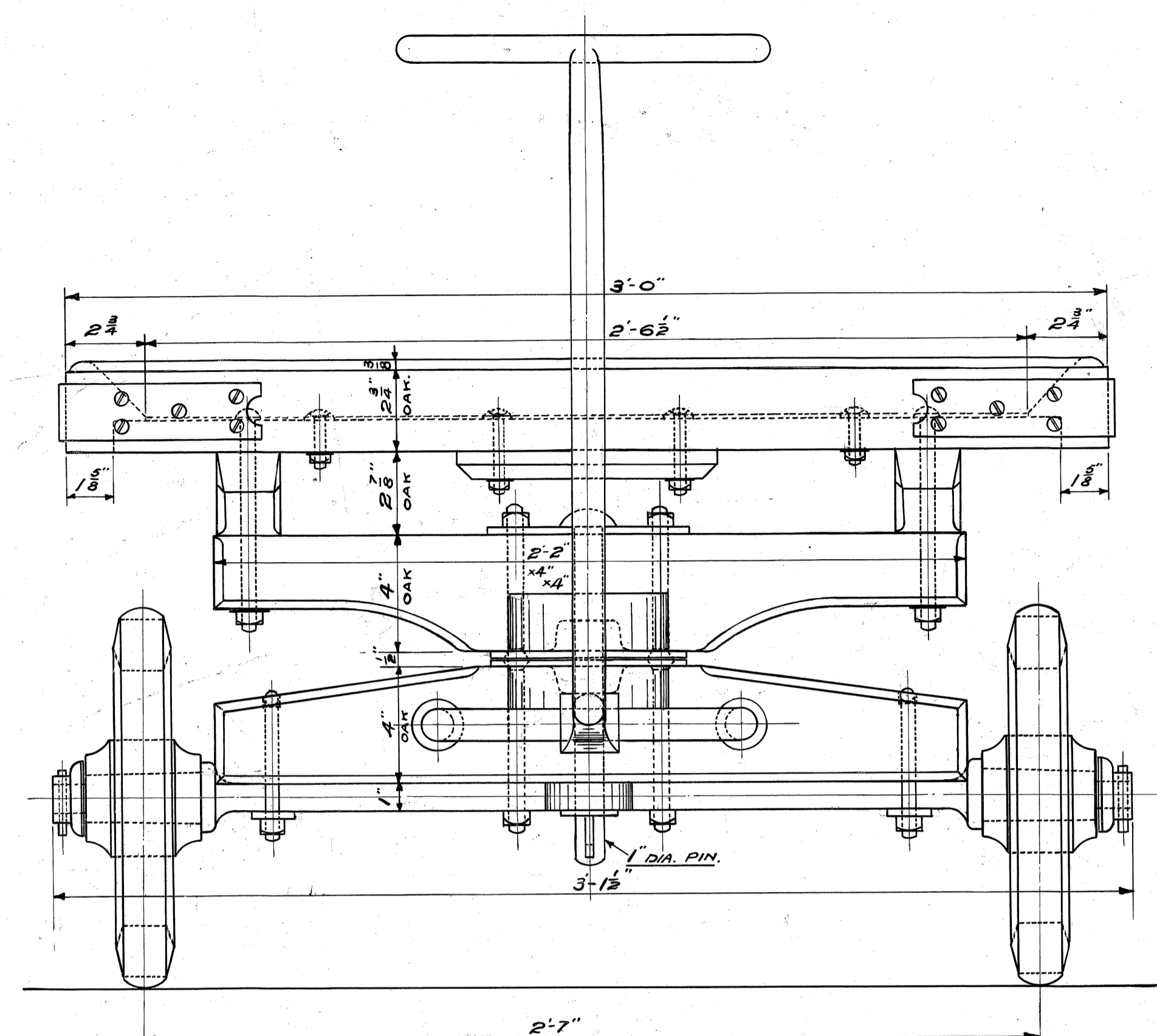
The
VIRTUAL MUSEUM
of the
LANCASHIRE & YORKSHIRE RAILWAY

Platform Truck Drawings.

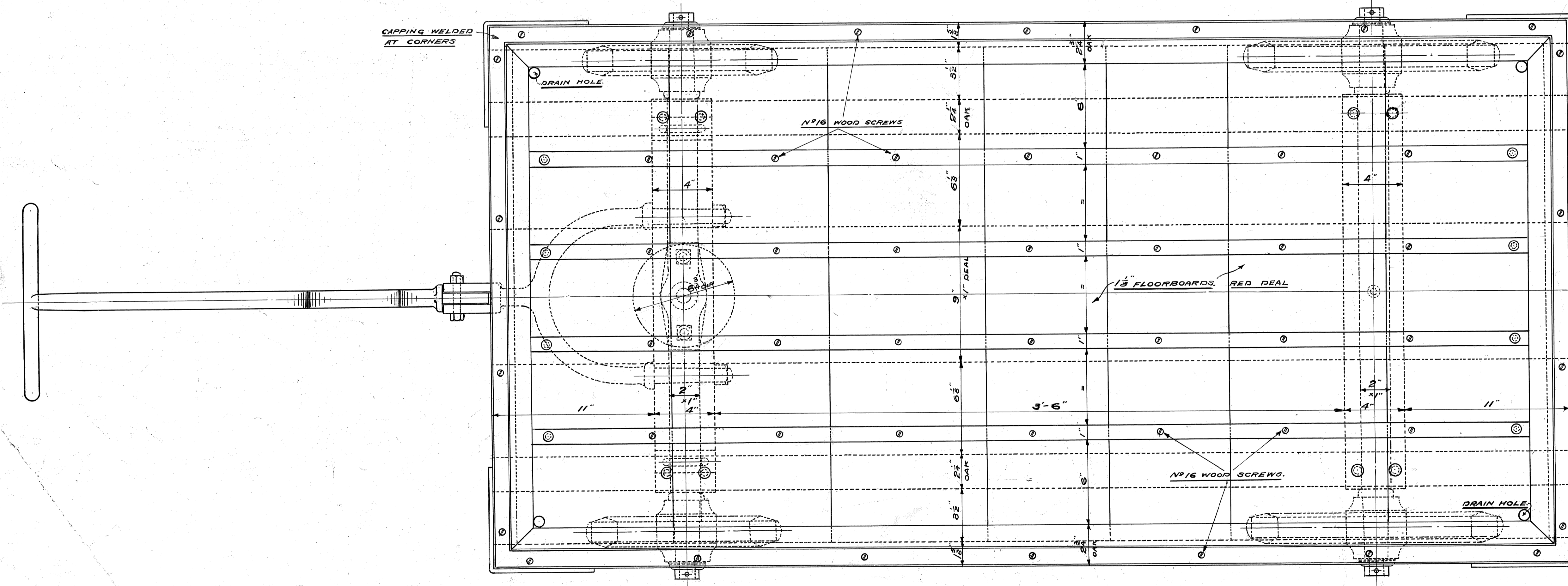
Drawing of
Standard Platform Truck No. 1 with Low Wheels.
Drawing No. 10106.



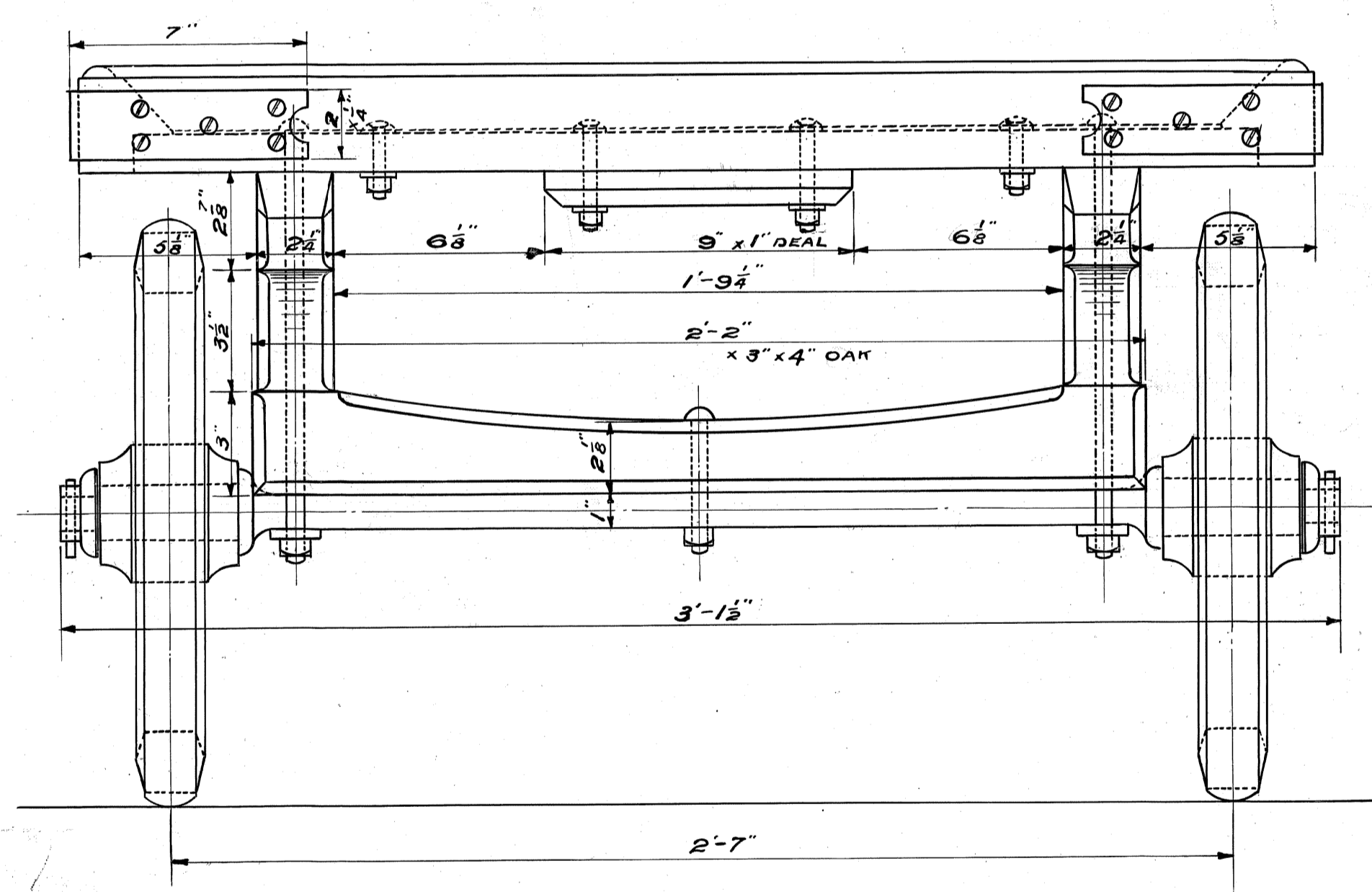
LONGITUDINAL SECTION



FRONT ELEVATION.



PLAN



REAR ELEVATION.

APPROX. TARE: - 3-3-0. c. q. lbs.

SCALE. 3 INCHES TO ONE FOOT.

STANDARD PLATFORM TRUCK NO 1 WITH LOW WHEELS.

DRAWING NO 10106