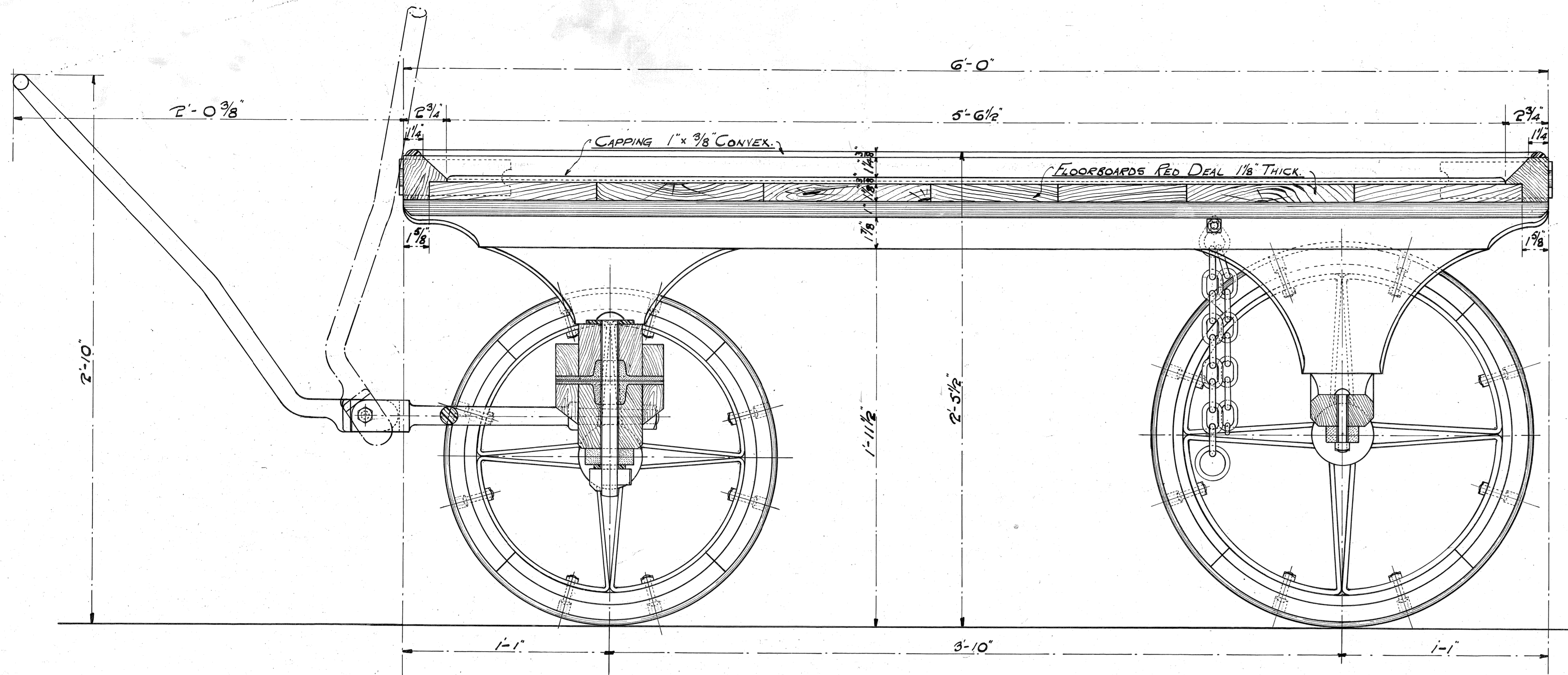


The
VIRTUAL MUSEUM
of the
LANCASHIRE & YORKSHIRE RAILWAY

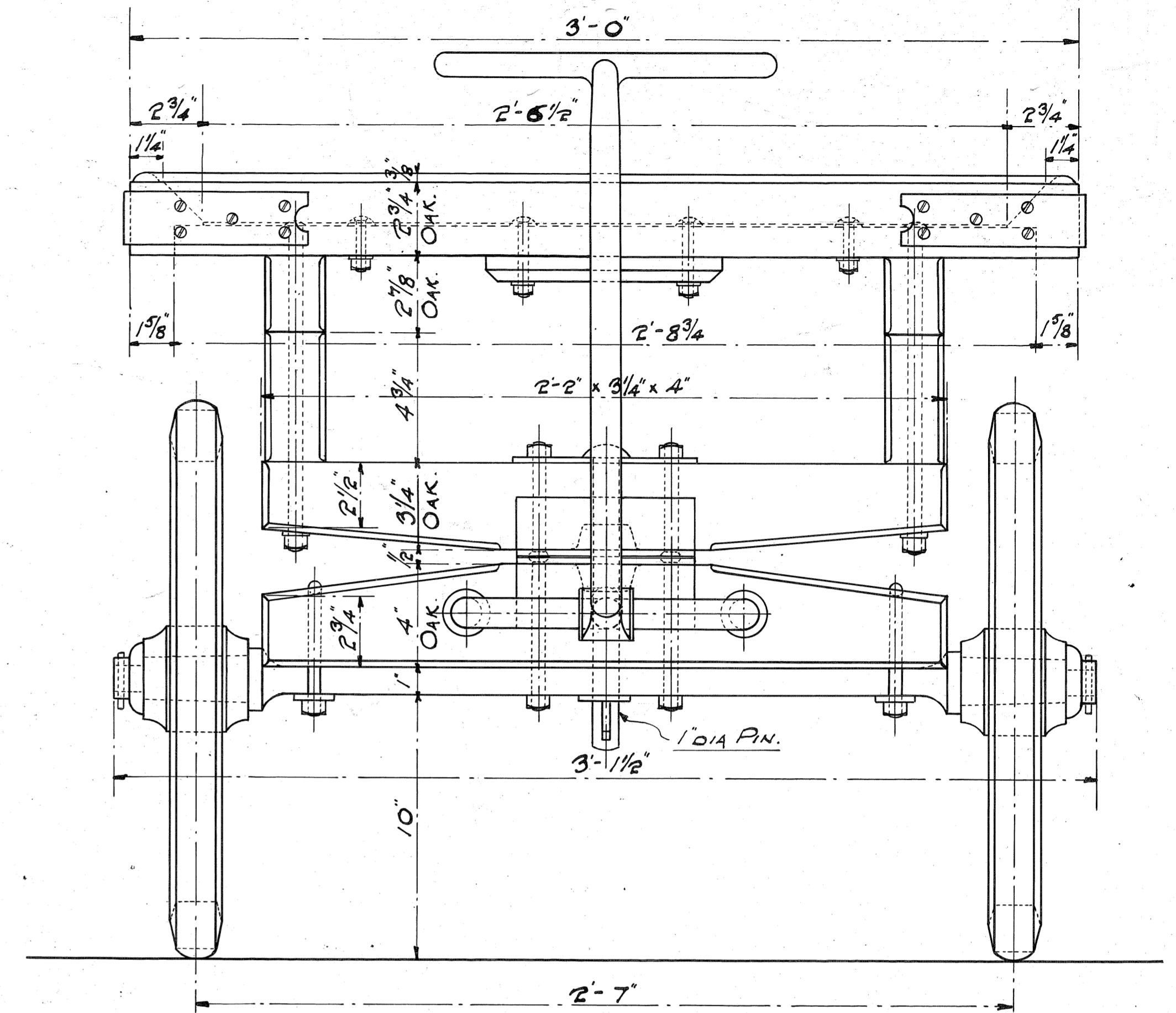
Platform Truck Drawings.

Drawing of
Standard Platform Truck No. 1 with High Wheels.
Drawing No. 10105.

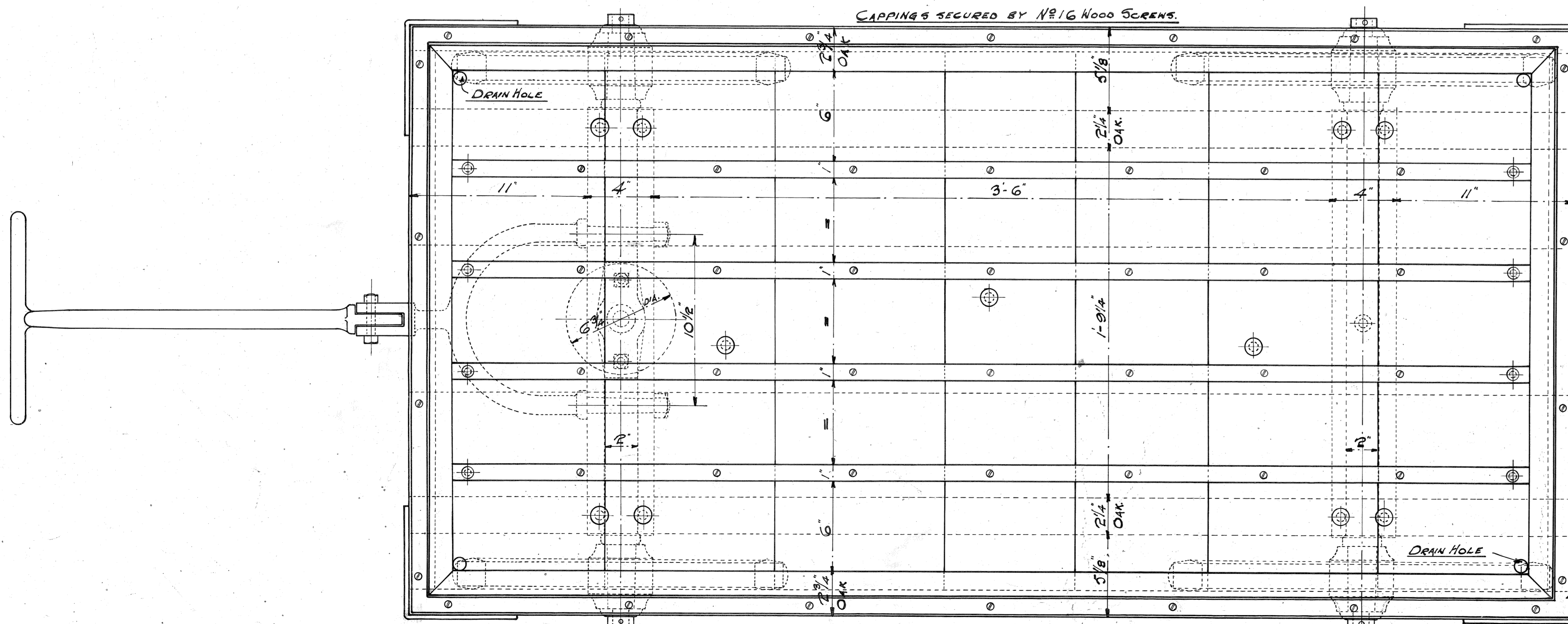


—LONGITUDINAL SECTION—

WHEELS:— FRONT 21" DIA. REAR 24" DIA.
 TYRES 1 1/2" x 3/8" CONVEX.
 SPOKES 1 1/4" x 1/4"
 FELLOES 2" x 1 3/4" ASH.

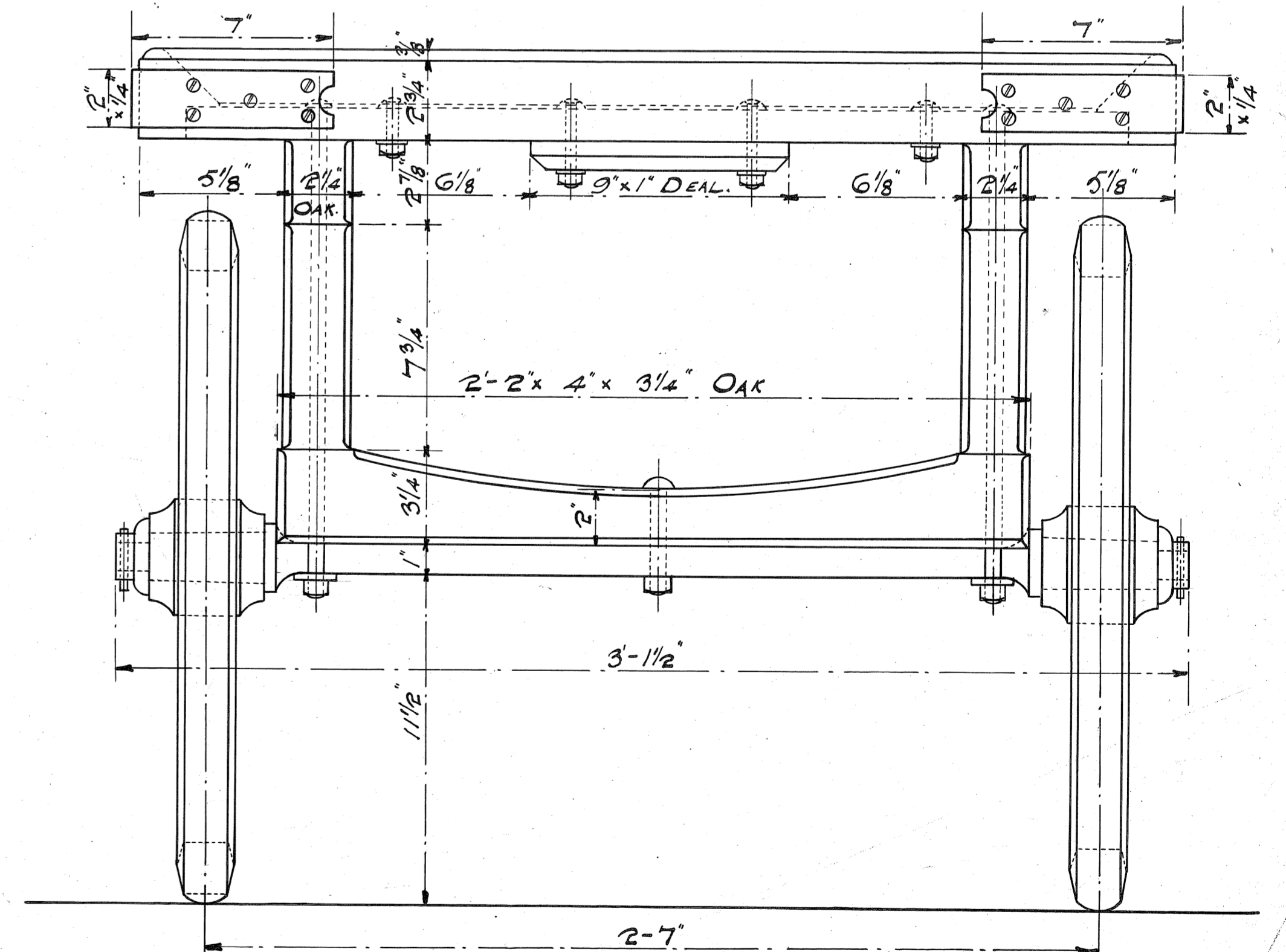


—FRONT ELEVATION—



—PLAN.—

CAPPING WELDED
 AT CORNERS.



—REAR ELEVATION—

APPROX. TARE:— 4-1-0.

SCALE 3 INCHES TO ONE FOOT.

STANDARD PLATFORM TRUCK NO 1 WITH HIGH WHEELS.

DRAWING NO 10,105

5th July 1922.