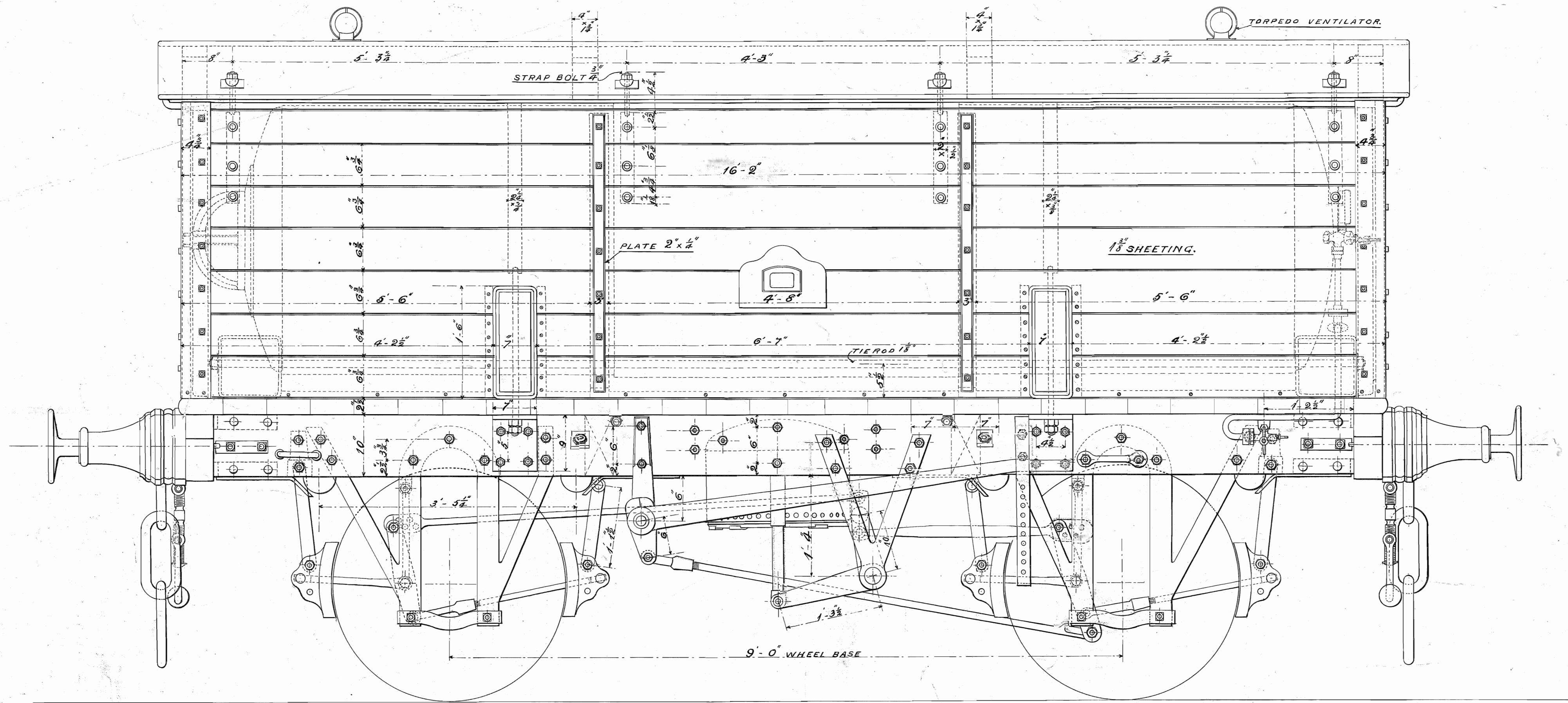


The
VIRTUAL MUSEUM
of the
LANCASHIRE & YORKSHIRE RAILWAY

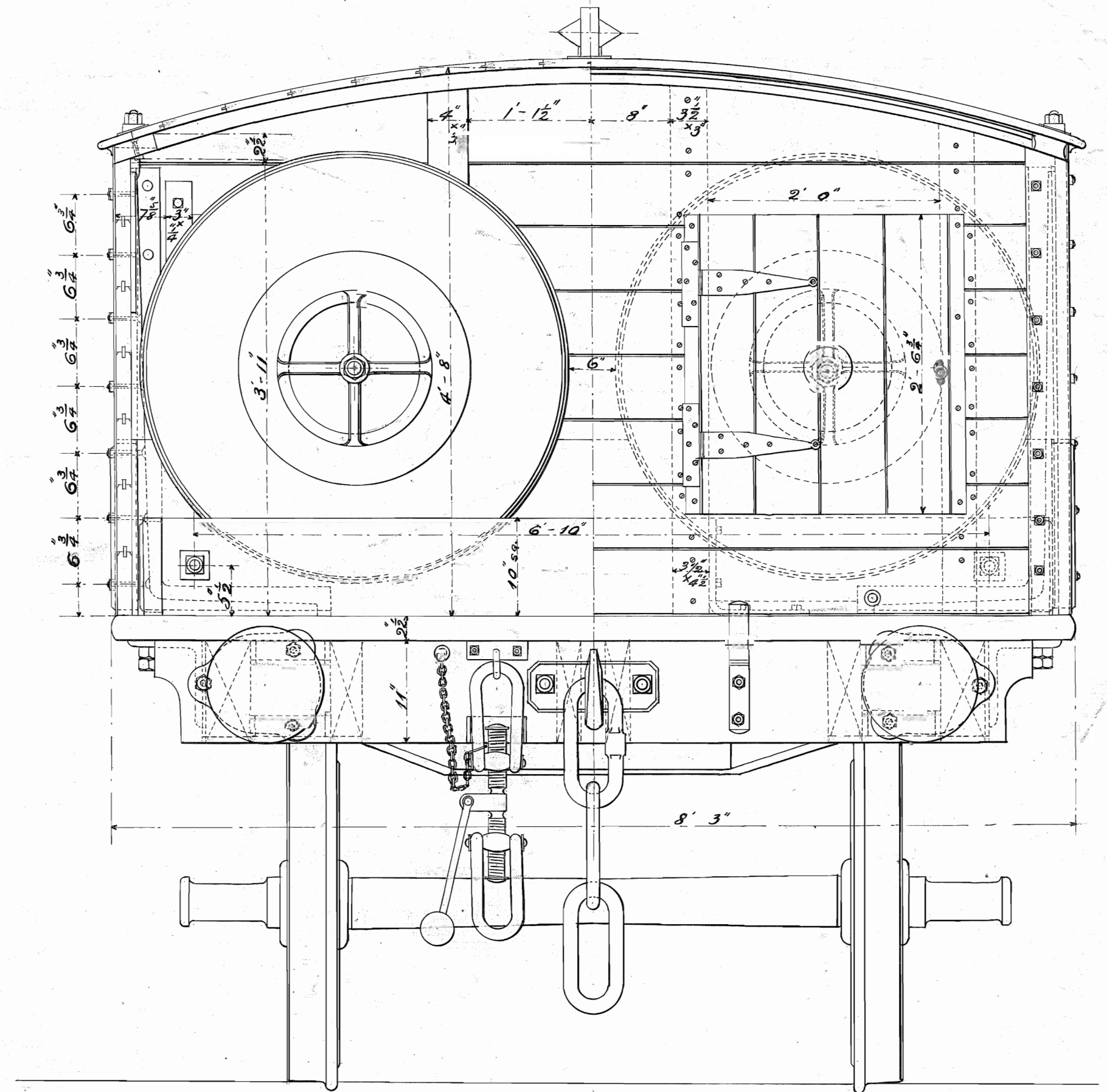
Rolling Stock Drawings.

Drawing of
Diagram 29
Gas Receiver Wagon.
Drawing No. 2504.



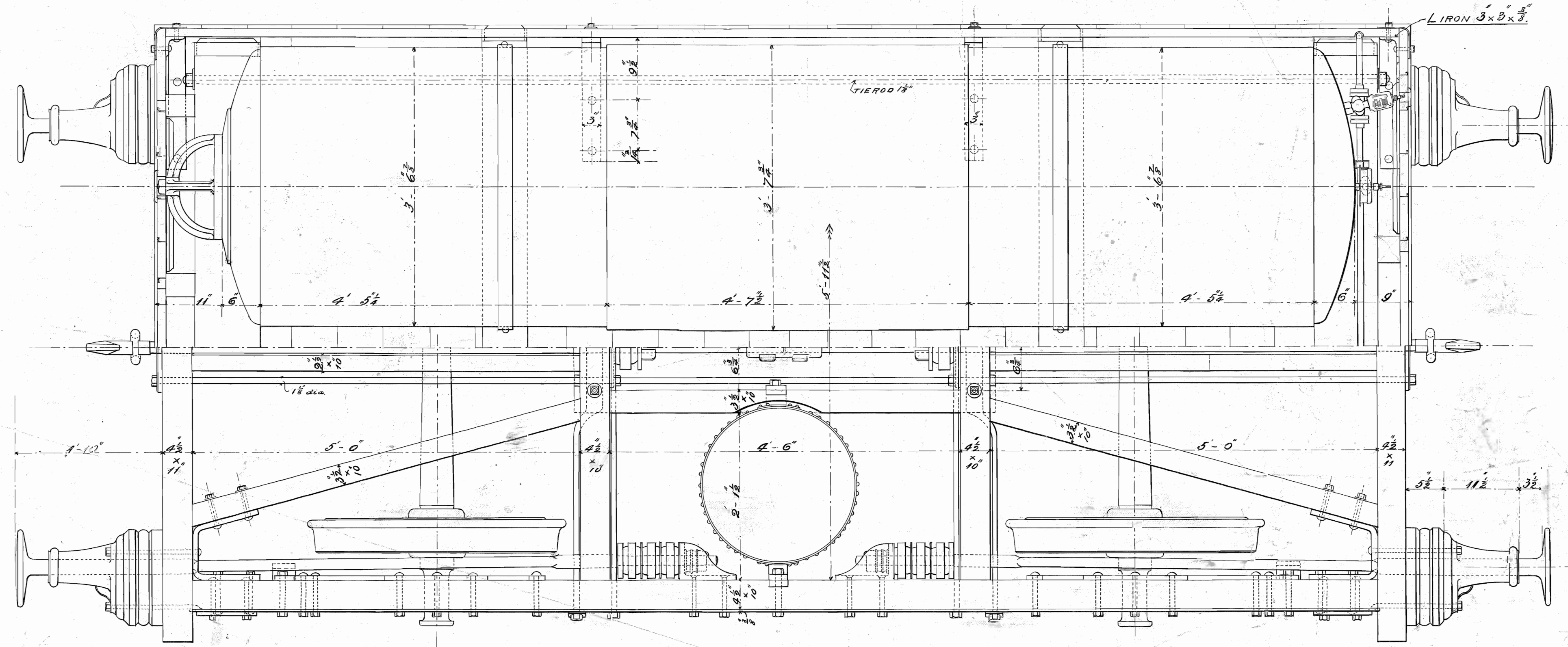
— SIDE ELEVATION —

NOTE.— ORDINARY WAGON WHEELS.
BEARING SPRINGS, 5 PLATES, 3" x 1/2"



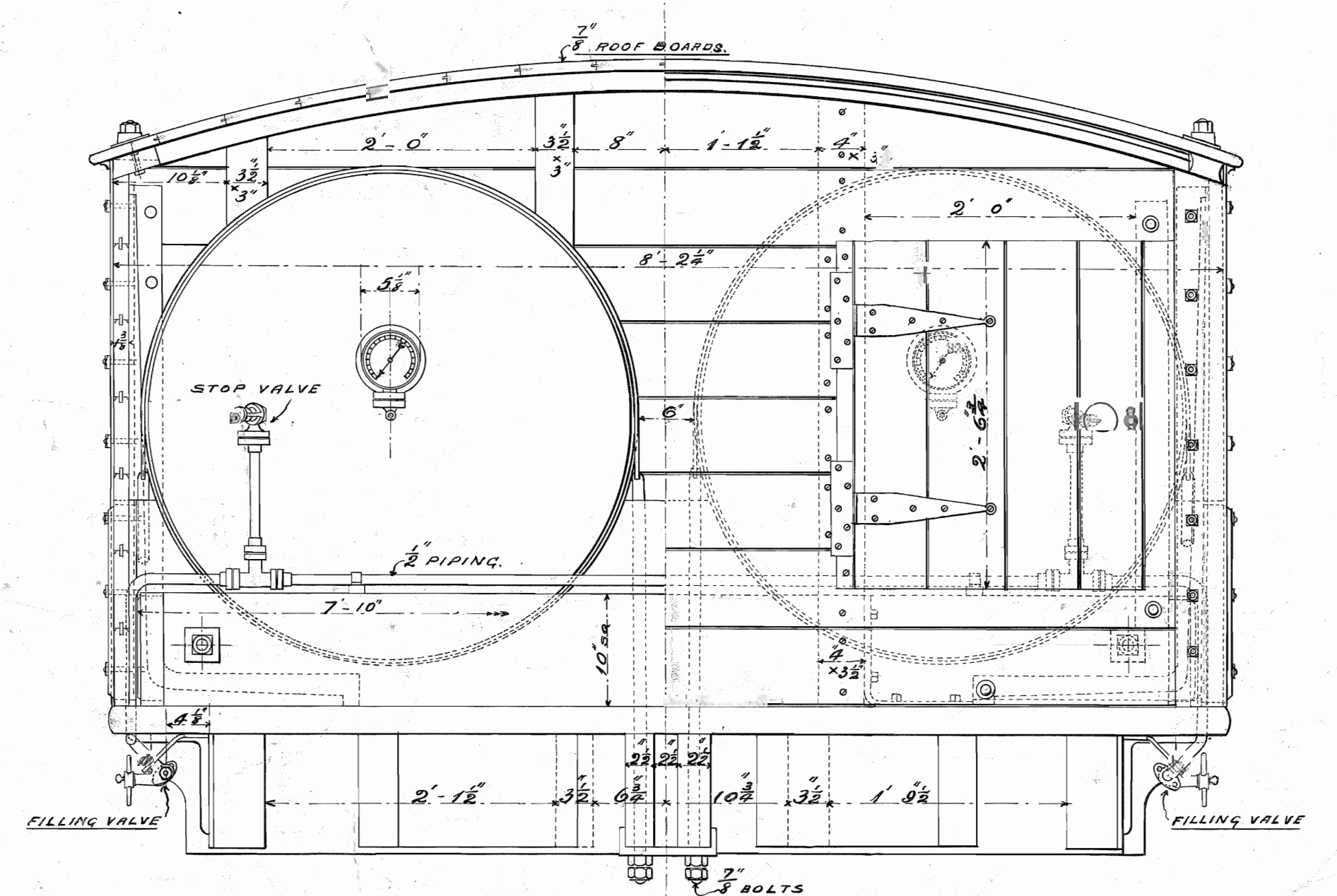
— HALF END ELEVATION —
— WITH DOOR & FRAMING REMOVED —

— HALF SECTIONAL PLAN —



— HALF PLAN OF UNDERFRAME —

UNDERFRAME SAME AS FRUIT-WAGON.



— HALF END ELEVATION —
— WITH DOOR & FRAMING REMOVED —

— GAS RECEIVER WAGON —

— SCALE 3/8 INCH TO ONE FOOT —

— DRAWING NO 2504 —

DRAWER 9

11-12-00

Handwritten signature

